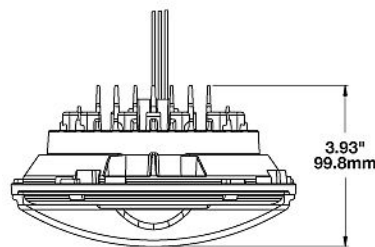
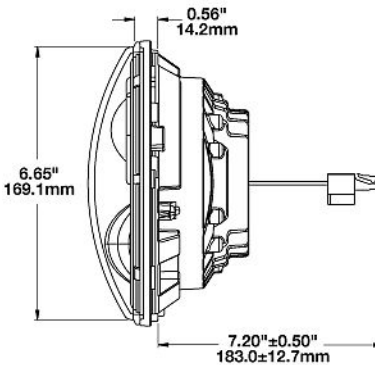
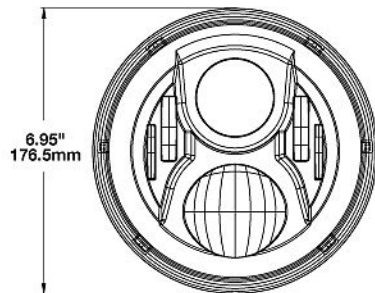




Top: ECE Version with Black Bezel; Bottom: DOT Version with Chrome Bezel



Dimensions in inches (mm in parentheses).
Dimensions are for reference only.

Product List

Model Number	Description
8700 Evolution 2-12/24V	LED Headlight

Features & Benefits

- Increased light output & improved beam pattern
- Innovative new ComfortLite™ high beam provides greater visibility
- Available in a 12-24V DC configuration
- Three different versions available:
 - DOT-compliant high/low beam
 - ECE RHT-compliant high/low beam
 - ECE LHT-compliant high/low beam
- Your choice of “bold” black or “muscle” chrome inner bezel
- Hardcoated polycarbonate lens
- Rugged solid state LEDs can withstand shock & vibration
- Long-lasting LEDs mean never having to replace another bulb again!
- Die-cast aluminum housing provides maximum protection
- Plug & play replacements for 2D1 “PAR56” (7” round) headlights
- Fits the following vehicles:
 - 1955-1983 Jeep CJ-5
 - 1976-1986 Jeep CJ-7
 - 1981-1985 Jeep CJ-8
 - 1997-2006 Jeep Wrangler (TJ)
 - 2007-2014 Jeep Wrangler 2-Door (JK)
 - 2007-2014 Jeep Wrangler Unlimited 4-Door (JK)
- Optional mounting assemblies available:
 - Point mount chrome bucket assembly
 - Side mount bucket assembly
 - Motorcycle ring kit assembly
 - Panel mount bucket assembly

General Specifications

Lens Pattern :	High & Low Beam
Lens Material :	Hardcoated Polycarbonate
Housing Material :	Die-Cast Aluminum
Mounting :	Retrofits 2D1 "PAR56" or 7" round headlights
Connector:	H4 (Ground and High Beam)
Weight:	2.31 lbs

Technical Specifications

8700 Evolution 2-12/24V
12-24V DC Input
9-32V DC Operating Voltage
2.80 Amps (High Beam); 2.00 Amps (Low Beam) @ 12V DC
1.60 Amps (High Beam); 1.10 Amps (Low Beam) @ 24V DC
Raw Lumen Output: 2,610 (High Beam); 1,770 (Low Beam)
Effective Lumen Output: 1,150 (High Beam); 750 (Low Beam)



Model 8700 Evolution 2

7" Round (PAR56) LED Headlight

Standards Compliance

DOT-Compliant
CMVSS 108
ECE Reg. 112

FMVSS 108
Buy America Compliant
Sealed to IP67

Applications

Military
Recreational

Off-Highway
Specialty Trucks

On-Highway

Additional Info

Headlight must be securely mounted and properly aimed such that the beam pattern "cut off line" complies with all applicable regulations. If you are not familiar with the legal requirements for aiming your headlights, please see a professional service provider. We recommend that headlights are aimed with a headlight aiming system for proper alignment.

We suggest the use of an anti-flicker harness (J.W. Speaker part # 8000311) for newer model Jeeps to address the Pulse Width Modulation (PWM) in the Jeep electrical system.

Wires: Yellow=Low Beam, White=High Beam, Black=Ground
Transient Spike Protection: 150V Peak @ 1 HZ-100 Pulses

Model 8700 Evolution 2

