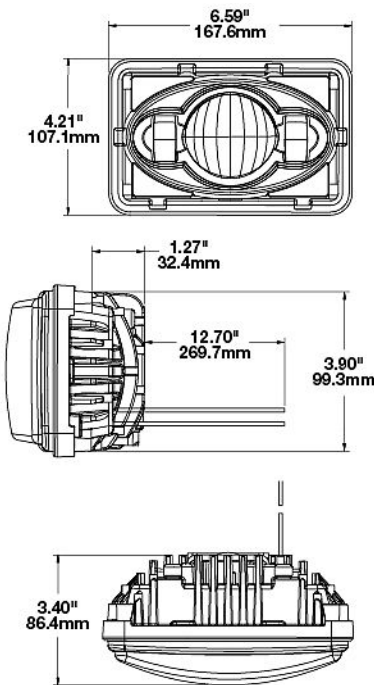




Left: High Beam Version Right: Low Beam Version



Dimensions in inches (mm in parentheses).
Dimensions are for reference only.

Product List

Model Number	Description
8800 Evolution	12V LED Low Beam Only Headlight
8800 Evolution	12V LED High Beam Only Headlight

Features & Benefits

- Increased light output & improved beam pattern
- Innovative ComfortLite™ high beam provides even greater visibility
- Available in a 12V DC configuration
- High & low beam patterns available
- Hardcoated polycarbonate lens
- Rugged solid state LEDs can withstand shock & vibration
- Long-lasting LEDs mean never having to replace another bulb again!
- Die-cast aluminum housing provides maximum protection
- Panel mount is a plug & play replacement for 1A1 and 2A1 sealed beams in most applications
- Available in a pedestal mount version (Model 8801 Evolution)

General Specifications

Lens Pattern :	High or Low Beam
Lens Material :	Polycarbonate
Housing Material :	Die-Cast Aluminum
Mounting Hardware:	(x1) 1/2" -13 x 1.25" Mounting Bolt (Pedestal Mount)
Mounting :	Low-Profile Panel Mount
Connector:	AMP (#172515-2)
Mating Connector:	LH Terminal AMP (#172795-1), RH Terminal AMP (#172796-1)
Weight:	1.7 lbs

Technical Specifications

8800 Evolution Low Beam	8800 Evolution High Beam
12V DC Input	12V DC Input
10-15V DC Operating Voltage	10-15V DC Operating Voltage
2.25 Amps @ 12V DC	2.25 Amps @ 12V DC
Raw Lumen Output: 1,890	Raw Lumen Output: 1,890
Effective Lumen Output: 740	Effective Lumen Output: 890

Standards Compliance

DOT-Compliant	FMVSS 108
CMVSS 108	Buy America Compliant
Sealed to IP67	

Applications

Agricultural	Construction	Fire & Rescue
Forestry	Industrial	Law Enforcement
Material Handling	Mining	Off-Highway
On-Highway	Recreational	Specialty Trucks
Utility		

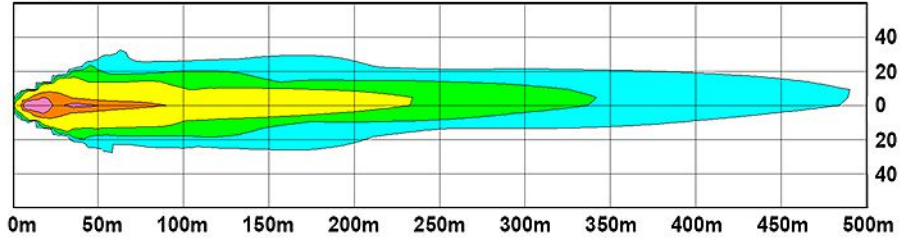
Additional Info

Headlight must be securely mounted and properly aimed such that the beam pattern complies with all applicable regulations. If you are not familiar with the legal requirements for aiming your headlights, please see a professional service provider. We recommend headlights be aimed with a headlight aiming system for proper alignment.

Wires: Red=Positive, Black=Negative
Transient Spike Protection: 150V Peak @ 1 HZ-100 Pulses

Model 8800 Evolution

High Beam Pattern (1.0m high, -0°)



Low Beam Pattern (1.0m high, -0°)

